

Technical data sheet

UP Plaster compensation ring 12 mm, flush-mounted device box

Item number: 2003742



Plaster compensation ring for Ø 60 mm flush-mounted box, to screw on.



PS Polystyrene

Master data

Item number	2003742
Type	ZU 12-PR
Description 1	UP Plaster compensation ring
Description 2	for flush-mounted device box
Available from	01.10.2021
Manufacturer	OBO
Dimension	Ø60mm, H12mm
Colour	Signal red
Material	Polystyrene
Smallest sales unit	25
Unit of quantity	Piece
Weight	0.65 kg
Weight unit	kg/100 pc.
CO Footprint (GWP) Cradle-to-Gate	0,0177 kg COe / 1 Piece

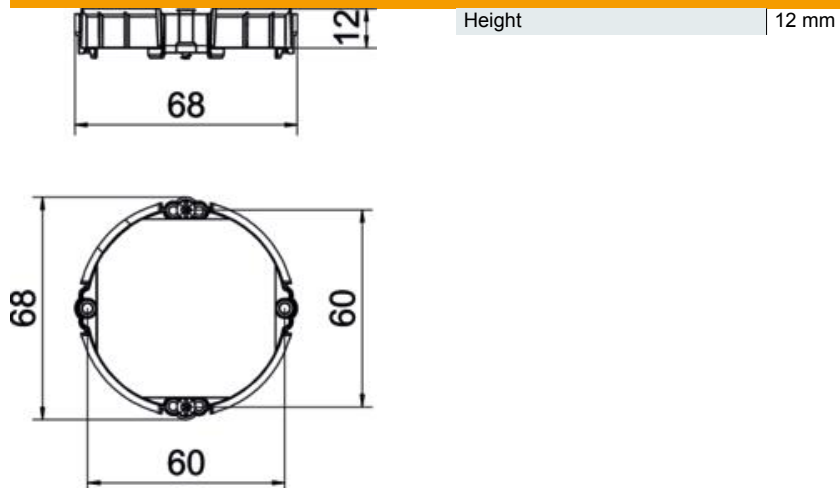
Technical data sheet

UP Plaster compensation ring 12 mm, flush-mounted device box

Item number: 2003742



Dimensions



Technical data

Flame-resistant	acc. to VDE 0471/IEC 60695-2-11, test temperature 650°C
Shape	Round
Halogen-free	yes
With bolts	yes
Impact-resistant	yes