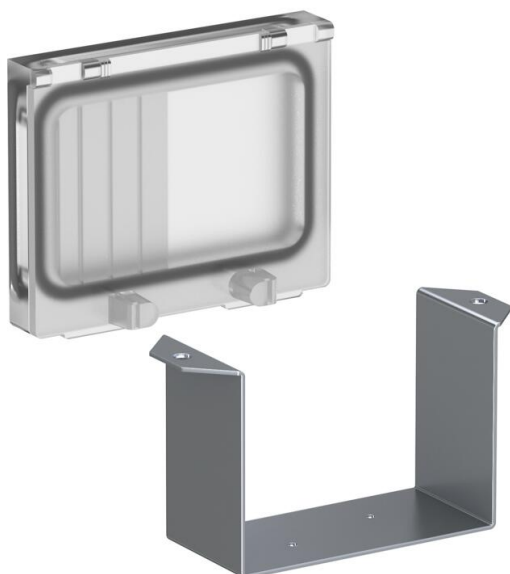


Technical data sheet

VHF protective unit construction, cover and support clamp

Item number: 6109850



Cover and support clamp for the installation of protective equipment such as miniature circuit breakers or FI protection switches to max. four units.

Note: Use only in conjunction with the supports VHF-T1 or VHF-T2.

CE

Master data

Item number	6109850
Description 1	Construction set protect. unit
Description 2	cover and support bracket
Manufacturer	OBO
Smallest sales unit	1
Unit of quantity	Piece
Weight	12.8 kg
Weight unit	kg/100 pc.

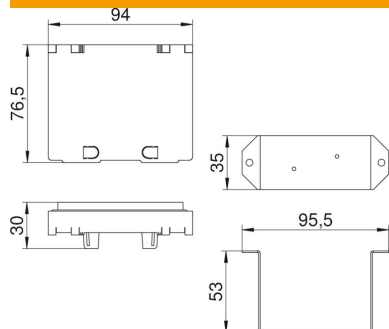
Technical data sheet

VHF protective unit construction, cover and support clamp

Item number: 6109850



Dimensions



Technical data

Type of accessory	Miscellaneous
Suitable for	Other
Halogen-free	no