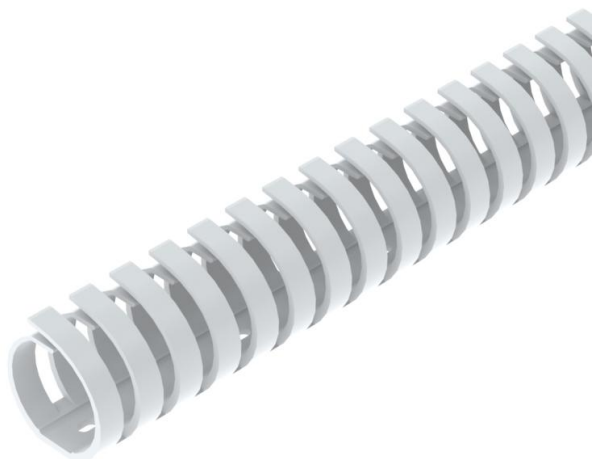


Technical data sheet

Wiring trunking VF 30, flexible

Item number: 6132606



Flexible wiring trunking for horizontal and vertical routing in the switchgear cabinet.

Direct wall mounting using the integrated base perforation. Hardly inflammable and self-extinguishing after removal of a naked flame. The retainers in the duct base can be broken out without tools.

Tested to DIN EN 50085-2-3.

Base and cover in set.

PP Polypropylene

Master data

| | |
|---------------------|-------------------------------|
| Item number | 6132606 |
| Type | VF 30 rws |
| Description 1 | Slotted cable trunking system |
| Description 2 | VF flex 30 mm 9010 |
| Manufacturer | OBO |
| Colour | Pure white; RAL 9010 |
| Material | Polypropylene |
| Smallest sales unit | 1 |
| Unit of quantity | Piece |
| Weight | 4.7 kg |
| Weight unit | kg/100 pc. |

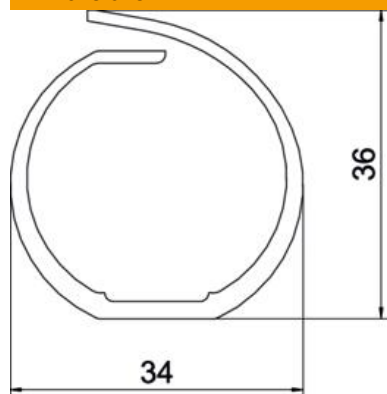
Technical data sheet

Wiring trunking VF 30, flexible

Item number: 6132606



Dimensions



| | |
|--------|--------|
| Length | 500 mm |
| Width | 34 mm |
| Height | 36 mm |

Technical data

| | |
|-----------------------------------|---------------------|
| Side wall version | Slotted |
| Fastening type | Base perforation |
| Flexible | yes |
| Halogen-free | yes |
| Creepage current-resistant | yes |
| With cover | no |
| Usable cross-section | 8.1 cm ² |
| Slot spacing | 13 mm |
| Slot width | 8 mm |
| Self-extinguishing | yes |
| Permitted temperature range, max. | 60 °C |
| Permitted temperature range, min. | -5 °C |