

Technical data sheet

Hook-head screw ZL

Item number: 1148114



Hook-head screw for use with MS4022 profile rail



St Steel

ZL Zinc slat

Master data

| | |
|-----------------------------------|-------------------------|
| Item number | 1148114 |
| Type | MS40HB M8x60 ZL |
| Description 1 | Hook-head screw |
| Description 2 | for profile rail MS4022 |
| Manufacturer | OBO |
| Dimension | M8x60mm |
| Material | Steel |
| Surface | Zinc slat |
| Surface standard | |
| Smallest sales unit | 25 |
| Unit of quantity | Piece |
| Weight | 6.85 kg |
| Weight unit | kg/100 pc. |
| CO Footprint (GWP) Cradle-to-Gate | 0,1784 kg COe / 1 Piece |

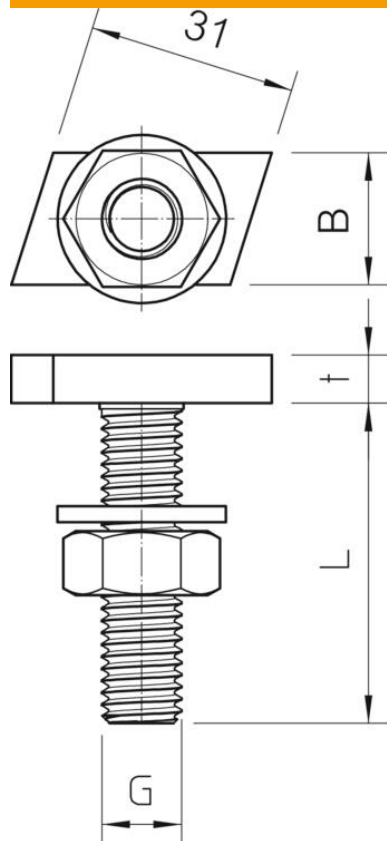
Technical data sheet

Hook-head screw ZL

Item number: 1148114



Dimensions



| | |
|--------|-------|
| Length | 35 mm |
| Width | 17 mm |
| Height | 10 mm |

Technical data

| | |
|----------------------------|---------|
| Torque | 8 Nm |
| Suitable for mounting rail | yes |
| Thread | M8x60mm |
| Thread metric | 8 |