

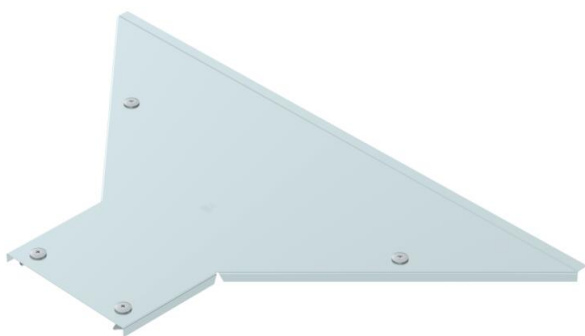
Technical data sheet

Cover for add-on tee FS

Item number: 6226310



Cover with turn buckles for covering add-on tee with welded rungs.



St Steel

FS Strip galvanized

Master data

Item number	6226310
Description 1	Cover for add-on tee
Description 2	with turn buckle
Manufacturer	OBO
Dimension	B200
Colour	zinc
Material	Steel
Surface	Strip galvanized
Surface standard	DIN EN 10346
Smallest sales unit	1
Unit of quantity	Piece
Weight	171 kg
Weight unit	kg/100 pc.

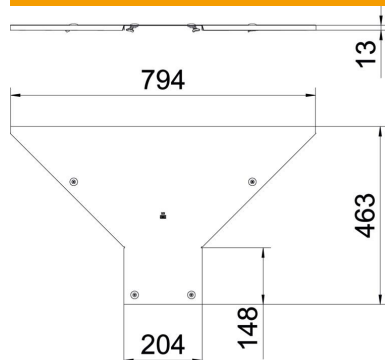
Technical data sheet

Cover for add-on tee FS

Item number: 6226310



Dimensions



Width	200 mm
Plate thickness	1 mm
Dimension B	200 mm

Technical data

Fastening type	Sash lock
Suitable for cable ladder	yes
Suitable for cable tray	no
Material thickness	1 mm
Rustproof steel, pickled	no
Wide-span version	no