

Technical data sheet

In-concrete box for installation units of nominal size 9

Item number: 7399852



In-concrete box for duct height 48 mm, prepared for duct widths 250 and 350 mm.

With four adjustable placements for height-adjustment units.

The integrated lined body can be adjusted to a maximum of 65 mm for compensating screed work.



St Steel

FS Strip galvanized

Master data

Item number	7399852
Type	IBD 35048 9
Description 1	In-concrete box
Description 2	for GES9
Manufacturer	OBO
Dimension	440x440x145
Material	Steel
Surface	Strip galvanized
Surface standard	DIN EN 10346
Smallest sales unit	1
Unit of quantity	Piece
Weight	872.5 kg
Weight unit	kg/100 pc.
CO2 Footprint (GWP) Cradle-to-Gate	28,9319 kg COe / 1 Piece

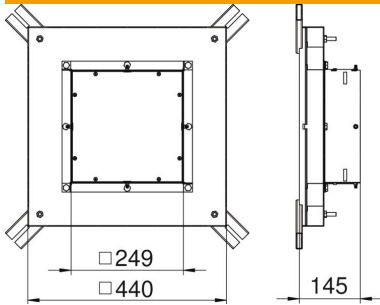
Technical data sheet

In-concrete box for installation units of nominal size 9

Item number: 7399852



Dimensions



Height	145 mm
Dimension h	145 mm

Technical data

Number of installable devices	12
Floor plate	yes
Seal installation option	no
Installation opening for on-floor tank	no
Installation opening for flush-mount unit	Square
Decouplable	no
For pipe connection	no
Suitable for screed-flush closed underfloor ducts	no
Suitable for screed-covered underfloor ducts	yes
Suitable for underfloor ducts	yes
Trunking width, max.	350 mm
Trunking width, min.	250 mm
Duct height, min.	48 mm
Nominal size for device installation units	9