

Technical data sheet

Reduction, metric thread

Item number: 2089599



Reduction (Part H) in accordance with DIN 46320, with metric thread to DIN EN 60423 or ISO 68.

* Prices according to DEL notation.



CuZn
37 Brass

N Nickel-plated

Master data

Item number	2089599
Type	167 R MS M40-32
Description 1	Reduction
Manufacturer	OBO
Dimension	M40-M32
Material	Brass
Surface	Nickel-plated
Surface standard	
Smallest sales unit	25
Unit of quantity	Piece
Weight	6.84 kg
Weight unit	kg/100 pc.
CO Footprint (GWP) Cradle-to-Gate	0,1004 kg COe / 1 Piece

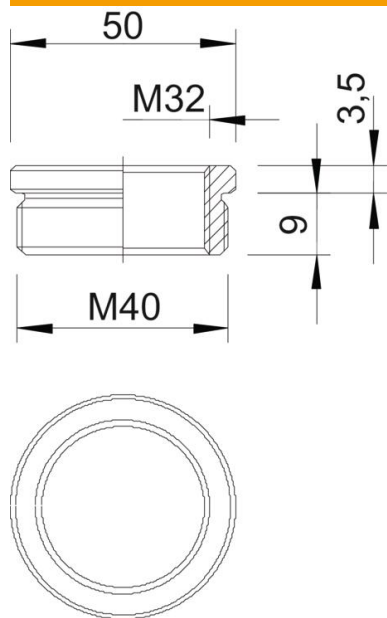
Technical data sheet

Reduction, metric thread

Item number: 2089599



Dimensions



Dimension D	50 mm
Dimension L1	9 mm
Dimension L2	3.5 mm

Technical data

explosion-proof	no
Thread type: External thread	Metric
Thread type: Internal thread	Metric
Thread length	9 mm
Thread dimension, metric, external	40
Thread dimension, metric, internal	32
Nickel-plated	yes