

# More uses at no extra cost: The new ECO Series

Outstanding: DESIGN **PLUS** 2002



**OBO**  
BETTERMANN

# Full of advantages: ECO from OBO



## Self-sealing cable entries

Secure and convenient: can be cut off from the inside in two stages. Plus two cable entries that can be cut off from the outside.



## Condensation openings

Can be opened simply by cutting from the bottom of the box.



## Terminal block fixing

In all directions: the terminal block can be rotated up to 360°.



## Cable entry at the back

Easy access: fitting is problem-free, secure and direct, even for cables that come out of the wall.



## Brackets

Practical: can be fixed with 6 mm knock-in fixings. No problems with aligning the box, thanks to slotted holes.



### ECO from OBO has hidden depths

From the outside our new cable junction boxes don't necessarily show all they have in them: many intelligent details, which mean you can fit them faster, more conveniently and thus more cost-efficiently—and without paying more than for other products. Once you have worked with ECO, you will never want to be without its many advantages.



#### Rounded cover

Highly intelligent: creates space where it is needed for installation – in the middle.



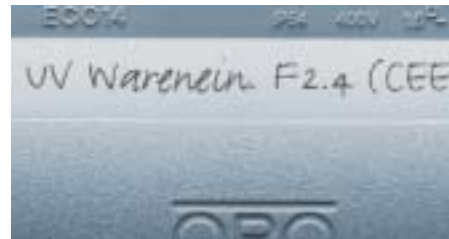
#### Large space for installation

Ideal size: fitter-friendly thanks to the large inner space in spite of low side walls.



#### Labelling area

Clear: the space for your individual label.



#### Markings for cable entries

Clear case: even in poorly accessible corners you will immediately identify the positions where cable entries are still free.



#### Cover fixing

A good fit: the cover can simply be attached to one of the lower corners of the bottom section.





**The full range:**

· **ECO Series**  
light grey RAL 7035

· **ECO Series**  
pure white RAL 9010

· Terminal strip  
· Screwless terminals

· Dolü branch terminals (colour-sorted)  
· Angler expanding plug  
· Multi-purpose plug  
· Aerated concrete plug  
· Knock-in fixings

· Golden Sprint screw

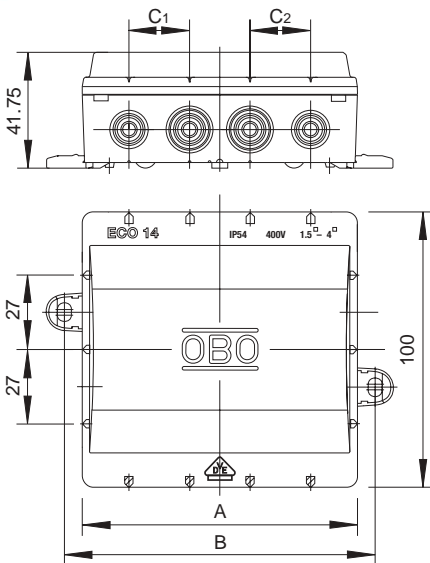
Model:	Order No.
ECO 10 VDE empty	2001 00 0
ECO 12/5 VDE	2001 00 7
ECO 12 VDE empty	2001 00 6
ECO 14/5 VDE	2001 01 3
ECO 14 VDE empty	2001 01 2
ECO 18/5 VDE	2001 01 9
ECO 18 VDE empty	2001 01 8
ECO 10 VDE empty	2001 03 0
ECO 12 VDE empty	2001 03 3
ECO 14 VDE empty	2001 03 6
ECO 18 VDE empty	2001 03 9
689	2017 34 2
61/515	2054 62 0
61/815	2054 64 7
61/225	2054 60 4
61/325	2054 48 5
61/525	2054 50 7
61/825	2054 52 3
70 VDE	2055 02 3
910/N 6x30	2349 05 1
910/MZ 6x35	2347 53 9
910/GD 6x35	2347 22 9
910/SD 5x35	2351 02 1
910/SD 6x40	2351 06 4
4758 4x40	3195 26 0

**The number in the model code represents the possible cable entries in the ECO junction box.**

**Technical data ECO:**  
 Protection class 54  
 Rated voltage 400 V  
 Nominal cross-section  
 1.5 mm<sup>2</sup>-2.5 mm<sup>2</sup>  
 Entries for cable diameter  
 8-12 mm

# Accessories

## Everything for expert fitting



	A	B	C1	C2
<b>ECO 10</b>	42.0	55.0	14.0	14.0
<b>ECO 12</b>	75.0	88.0	20.5	20.5
<b>ECO 14</b>	100.0	113.0	22.0	22.0
<b>ECO 18</b>	130.0	143.0	19.8	19.8

### Installation accessories

Best connections: OBO Dolü branch terminals and screwless terminals guarantee a secure connection.



### Fixing accessories

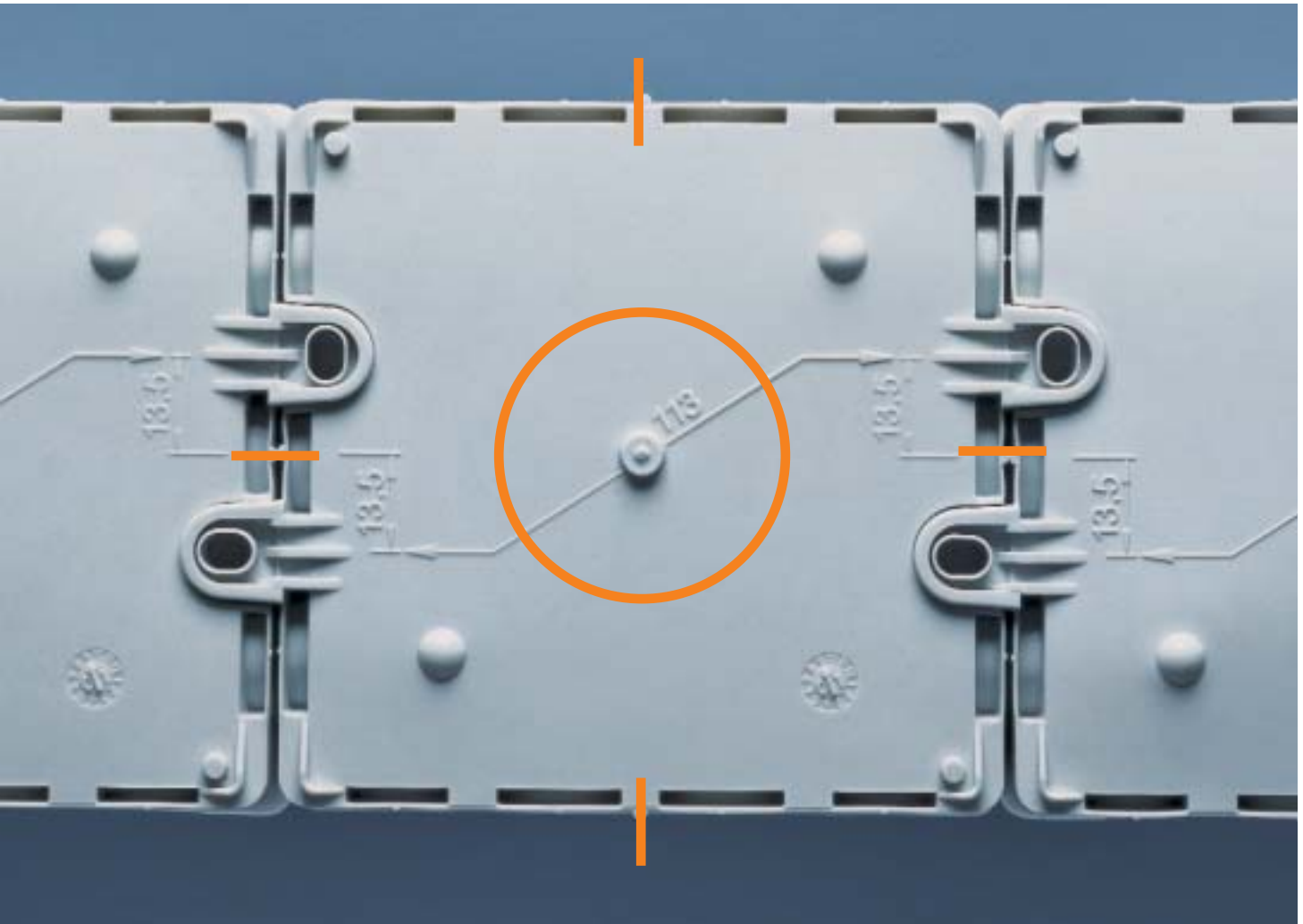
Whatever you need: OBO offers a complete fixing assortment for the fastest possible fitting to any background.



## Line-up

A strong team, too: ECO are the first cable junction boxes that can be connected to each other very simply without further components. That not only saves time during fitting; the absence of a second fixing saves you materials and therefore money. The stability is guaranteed through the double-walled side-walls. The precise positioning ensures secure fitting at all times. All fixing dimensions are shown clearly on the back.

With ECO every installation becomes a simple, quick operation – and suddenly all the others are just boxes.



**OBO. Used by professionals.**



**VBS TBS KTS BSS LFS UFS**