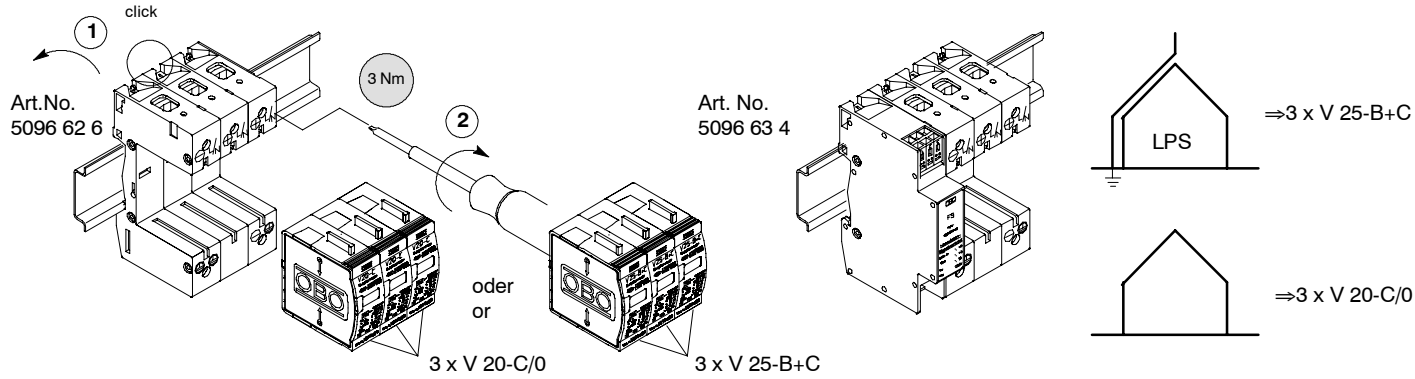


Installation Instruction V 20-C/U-3PH; V 20-C/U-3PH-FS

V 20-C/U-3PH

V 20-C/U-3PH-FS



Technical Data / Technische Daten

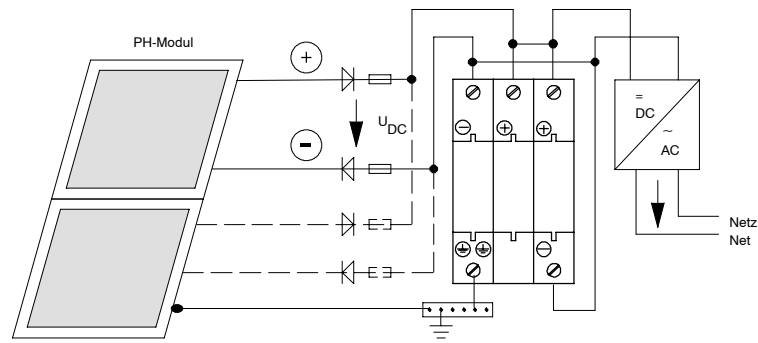
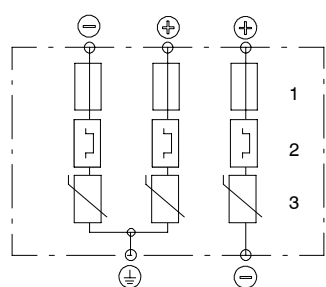
| Typ | V 20-C/0-75 | V 20-C/0-150 | V 20-C/0-280 | V 20-C/0-335 | V 20-C/0-385 | V 20-C/0-440 | V 20-C/0-550 |
|-------------|-------------|--------------|--------------|--------------|--------------|--------------|--------------|
| $U_{C DC=}$ | 100 V | 200 V | 350 V | 420 V | 505 V | 585 V | 745 V |
| $U_{C AC~}$ | 75 V | 150 V | 280 V | 335 V | 385 V | 440 V | 550 V |

| LPZ | LPZ 1->2 | | | | | | |
|-----------------|--------------|--------------|---------------|---------------|---------------|---------------|---------------|
| | I_N | 15 kA | | | 20 kA | | |
| $I_{max(8/20)}$ | 40 kA | | | 40 kA | | | 40 kA |
| U_p | ≤ 400 V | ≤ 700 V | $\leq 1,4$ kV | $\leq 1,6$ kV | $\leq 1,8$ kV | $\leq 2,2$ kV | $\leq 2,5$ kV |

| Typ | V 25-B+C/0-150 | V 25-B+C/0-280 | V 25-B+C/0-385 | V50-B+C/0-280 |
|-------------|----------------|----------------|----------------|---------------|
| $U_{C DC=}$ | 170 V | 350 V | 500 V | 350 V |
| $U_{C AC~}$ | 150 V | 280 V | 385 V | 280 V |

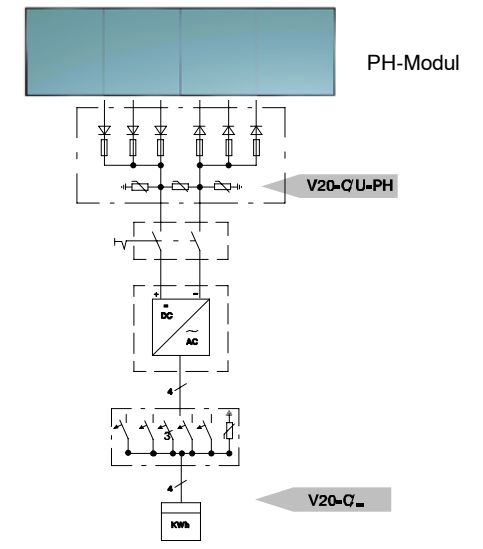
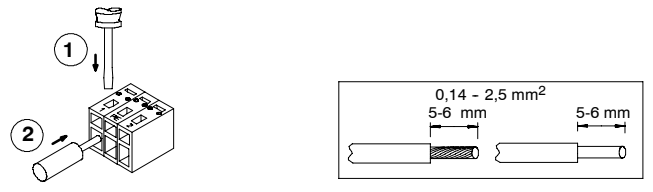
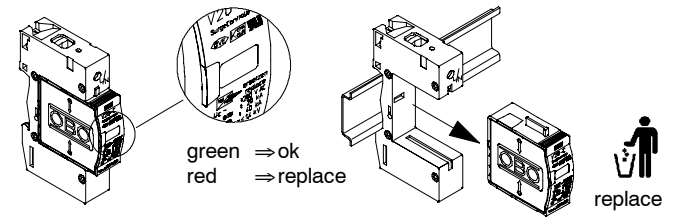
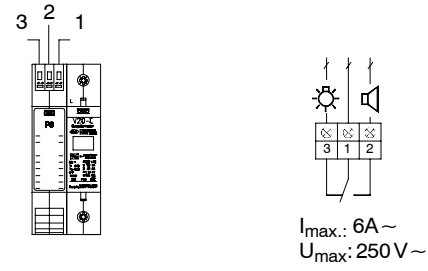
| LPZ | LPZ 0->2 | | | |
|-------------------|-----------------|-------|------|---------|
| | $I_N(8/20)$ | 30 kA | | |
| $I_{max(8/20)}$ | 50 kA | | | 50 kA |
| $I_{imp(10/350)}$ | 8 kA | 7 kA | 7 kA | 12,5 kA |
| v °C | - 40°C - + 80°C | | | |
| IP-Code | 20 | | | |

| | 12,5 | 12,5 | 12,5 |
|---------------|---------------------|--------------------|--------------------|
| min. L, N, PE | 2,5 mm ² | | |
| max. L, N, PE | 25 mm ² | 35 mm ² | 35 mm ² |



V 20-C/...FS

Indication



Head Office OBO BETTERMANN GmbH & Co. KG
 Postfach 1120 · 58694 Menden, Germany
 Hüingser Ring 52 · D-58710 Menden
 Tel. +49 (0)2373-89-0 Fax +49 (0)2373-89-238
 E-Mail: info@obo.de · www.obo-bettermann.com

Technical Hotline
 Telefon +49 (0)2373/89-1500
 Telefax +49 (0)2373/89-1550
 E-Mail hotline@obo.de