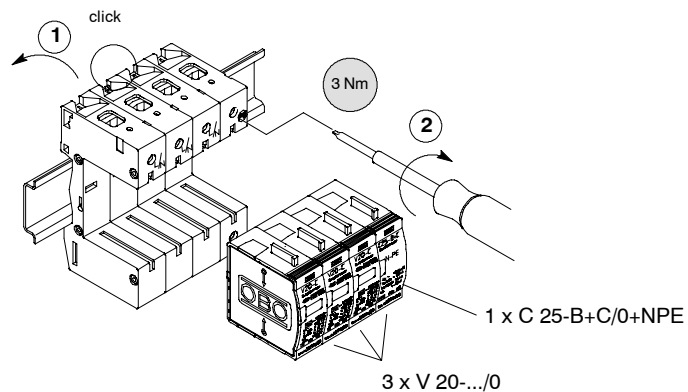
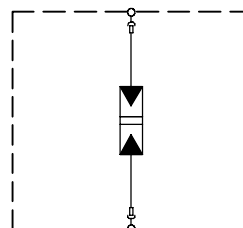


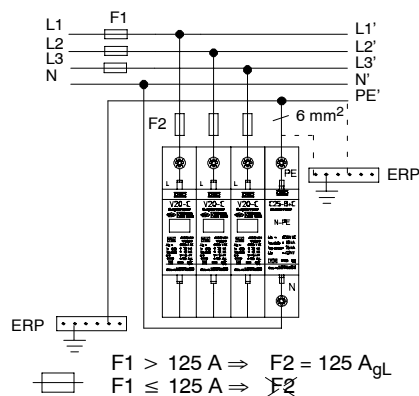
V 20, V 25-/...+NPE



Block diagram/Blockschaltbild



V 20, V 25-/...+NPE ⇒ (TT/TN-C-S/TN-S)



Technical Data / Technische Daten

| | |
|-------------------------|------------------|
| Typ | C 25-B+C/0+NPE |
| U _C | 255 V / 50-60 Hz |
| LPZ | LPZ 0-→2 |
| I _{imp} | 25 kA |
| I _{max} (8/20) | 50 kA |
| U _p | ≤ 1,2 kV |
| t _a | <25 ns |
| v °C | - 40°C - + 80°C |
| IP-Code | 20 |

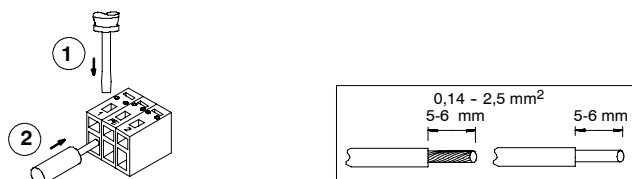
| | | | |
|---------------|---------------------|--------------------|--------------------|
| | | | |
| min. L, N, PE | 2,5 mm ² | | |
| max. L, N, PE | 25 mm ² | 35 mm ² | 35 mm ² |

Type
1+2

EN 61643-11: 2002-07

LPZ
0-→2

IEC 61312-1: 1995-03
DIN V VDE V 0185-4: 2002-11



Head Office OBO BETTERMANN GmbH & Co.
Postfach 1120 · 58694 Menden, Germany
Hüngser Ring 52 · D-58710 Menden
Tel. +49 (0)2373-89-0 Fax +49 (0)2373-89-238
E-Mail: info@obo.de · www.obo-bettermann.com

Technical Hotline
Telefon +49 (0)2373/89-1500
Telefax +49 (0)2373/89-1550
E-Mail hotline@obo.de