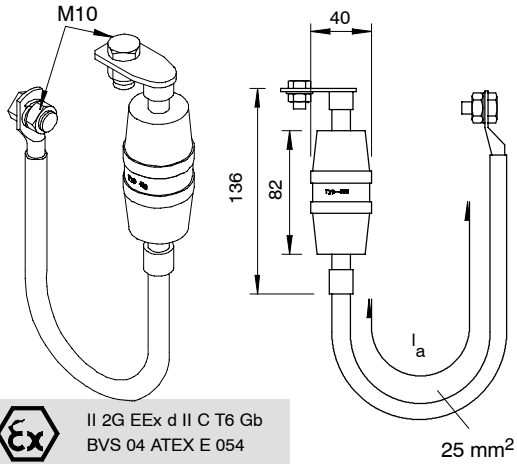
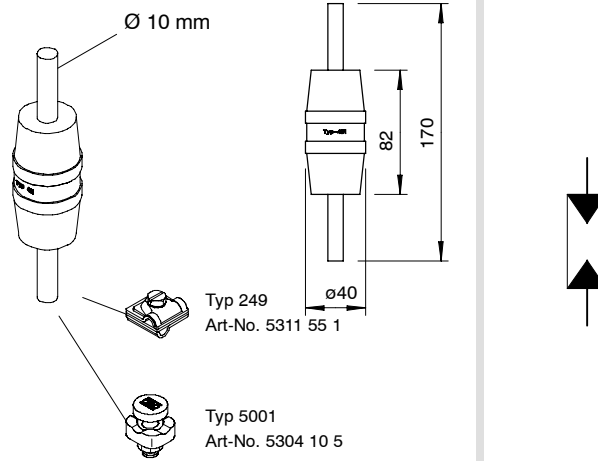


Typ 480

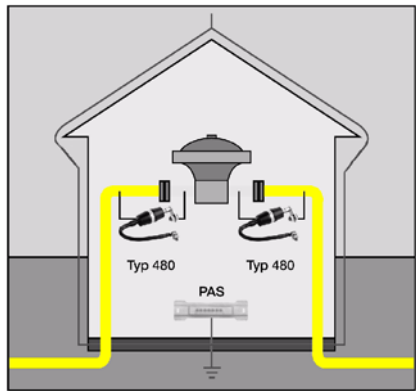


Type 481

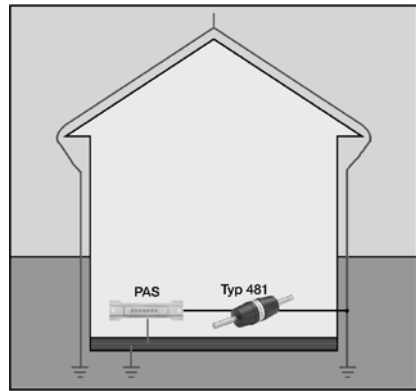


II 2G EEx d II C T6 Gb
BVS 04 ATEX E 054

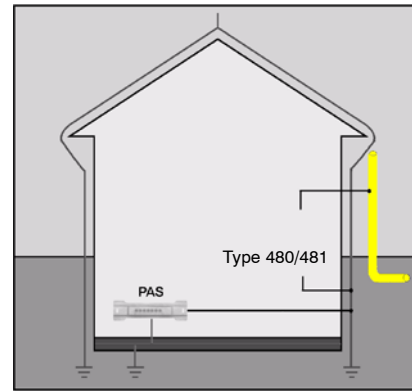
Anwendung / Application Typ 480



Typ 481



Typ 480 / 481



Technical Data / Technische Daten

Typ	480/180	480/250	480/350	480/1000
I_a	180 mm	250 mm	350 mm	1000 mm
U_A AC	1,0 kV ($\pm 50\%$)			
$U_{A1.2/50}$	3,0 kV ($\pm 50\%$)			
I_{imp} (10/350)	100 kA			
R_{isol}	≥ 100 M Ω			
class / Klasse nach prEN 50164-3:2002	H			
v	$-20^\circ\text{C} - +50^\circ\text{C}$			
Order-No.	5240 03 4	5240 07 7	5240 06 9	5240 08 1

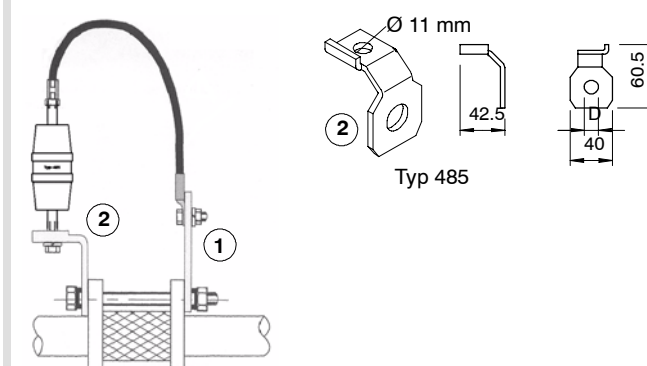
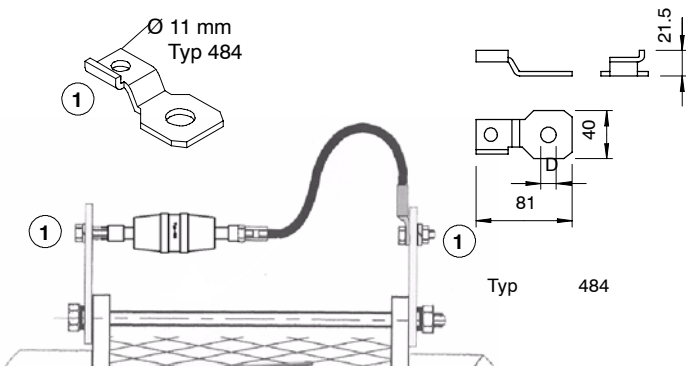
Typ	481
I_{imp} (10/350)	50 kA
I_n (8/20)	100 kA
R_{isol}	> 100 M Ω
U_A AC	2,5 kV
$U_{A1.2/50}$	5,0 kV
t_a	< 100 ns
v	$-20^\circ\text{C} - +50^\circ\text{C}$
Order-No.	5240 08 5

①

Type	D Ø mm	Order-No. FT
484	11 (M10)	5240 21 2
484	13 (M12)	5240 22 0
484	17 (M16)	5240 23 9
484	21 (M20)	5240 24 7
484	25 (M24)	5240 25 5

②

Type	D Ø mm	Order-No. FT
485	11 (M10)	5240 30 1
485	13 (M12)	5240 32 8
485	17 (M16)	5240 33 6
485	21 (M20)	5240 34 4
485	25 (M24)	5240 35 2



Head Office OBO BETTERMANN GmbH & Co. KG
Postfach 1120 · 58694 Menden, Germany
Hüingsser Ring 52 · D-58710 Menden
Tel. +49 (0)2373-89-0 Fax +49 (0)2373-89-238
E-Mail: info@obo.de · www.obo-bettermann.com

Technical Hotline
Telefon +49 (0)2373/89-1500
Telefax +49 (0)2373/89-1550
E-Mail hotline@obo.de